



PROGRES GRYPHAX[®] SUBRA



Technical data

Explore the micro universe
in Full HD.

KEY FACTS

- Full HD microscope camera with 30 fps
- 5.5 x 5.5 µm pixel size
- 2/3" sensor
- Global shutter
- Software included

SYSTEM REQUIREMENTS

Personal computer	Intel i7 (Quad-Core) processor or comparable / 8 GB RAM
Operating system	WIN 7 / 8 / 10 MAC El Capitan LINUX Ubuntu 14.04 LTS
Data interface	USB 3.0 integrated, no extra power supply needed
Monitor resolution	1920 x 1080 pixel or higher
Software (included in the package)	PROGRES GRYPHAX [®] (64 bit operating systems only)

IMAGE SENSOR

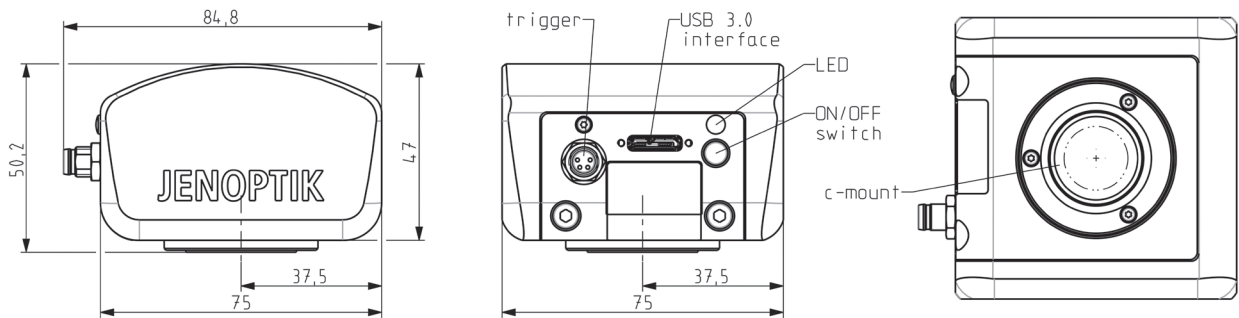
Type square utilised sensor diagonal	CMOSIS CMOS 2/3" 12.75 mm
Pixel dimensions	5.5 x 5.5 µm
Color or monochrome	Color
Transfer method shutter mode	Progressive scan Global shutter
Full sensor resolution	2048 x 1084 pixel

CAMERA

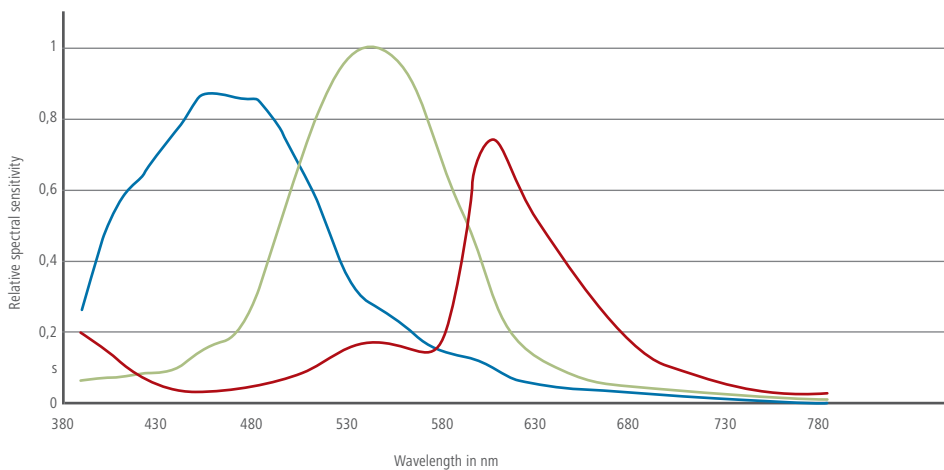
Camera resolution in LIVE mode	Full HD 1920 x 1080 pixel up to 2048 x 1084 pixel (30 fps)
Camera resolution in RECORD mode	Full HD 1920 x 1080 pixel up to 2048 x 1084 pixel
Camera resolution in VIDEO mode	Full HD 1920 x 1080 pixel (30 fps)
Exposure time min. - max.	52 µs - 2 s
Gain	Max. 8
A/D conversion	12 bit (4096 grey values)
Absolute sensitivity threshold*	13.5 e-
Saturation capacity*	8000 e-
Dynamic range*	56 dB

*based on EMVA 1288 standard compliance guidelines

Filter	IR cut optional clear-glass
Hardware trigger	OUT
Power switch	Yes
Optical interface	C-mount
Power consumption	Appr. 3 W
Dimensions	85 mm x 75 mm x 50 mm
Weight	Appr. 400 g
Storage options	-20°C up to +70°C
Operating temperature	+10°C up to +35°C non condensing
Warranty	24 months
CE conformity / RoHS conformity	Yes



MEASURED RELATIVE SPECTRAL SENSITIVITY*:



PROGRES GRYPHAX® SUBRA IS AN ESSENTIAL SOLUTION FOR:

- Life science
- Quality control
- Material science
- Forensics

*based on EMVA 1288 standard compliance guidelines / effective spectral sensitivity on request